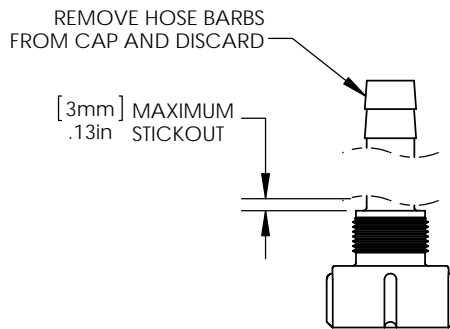
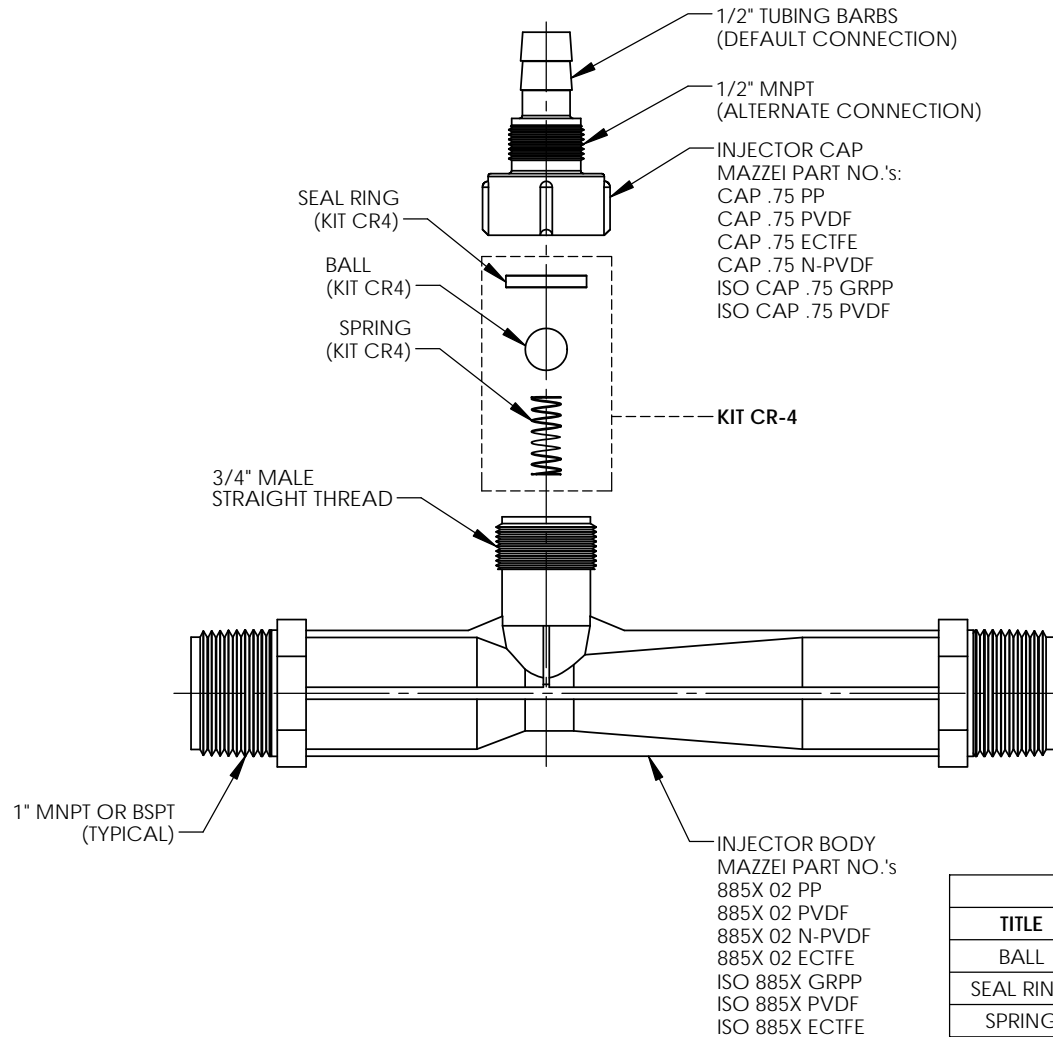


NOTES:

1. MADE IN THE U.S.A.
2. U.S. PATENT No. 5,863,128
3. U.S. No. 3,852,076 AND INTERNATIONAL REGISTERED TRADEMARKS
4. MATERIAL: GLASS FILLED POLYPROPYLENE (PP) OR POLYVINYLIDENE FLOURIDE (PVDF) OR ETHYLENE CHLOROTRIFLUOROETHYLENE (ECTFE)
5. INLET/OUTLET CONNECTION:
1" MNPT OR BSPT
6. SUCTION PORT CONNECTION:

DEFAULT - 1/2" I.D. TUBING BARB WITH INTEGRATED CHECK VALVE

ALTERNATE - 1/2" MNPT - SEE ALTERNATE CAP MODIFICATION DETAIL
7. INSTALLATION RECOMMENDATION: REFER TO THE MAZZEI INJECTOR INSTALLATION GUIDE "TECHNICAL BULLETIN No. 10"
8. MAZZEI INJECTOR CO., LLC.
500 ROOSTER DR.
BAKERSFIELD, CA 93307
TEL: 661.363.6500
WEB: WWW.MAZZEI.NET



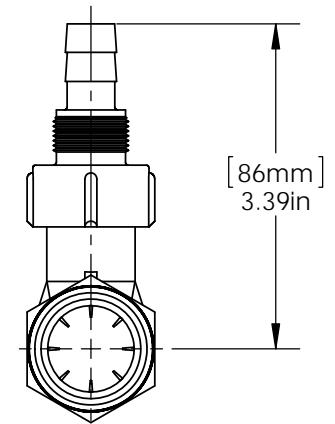
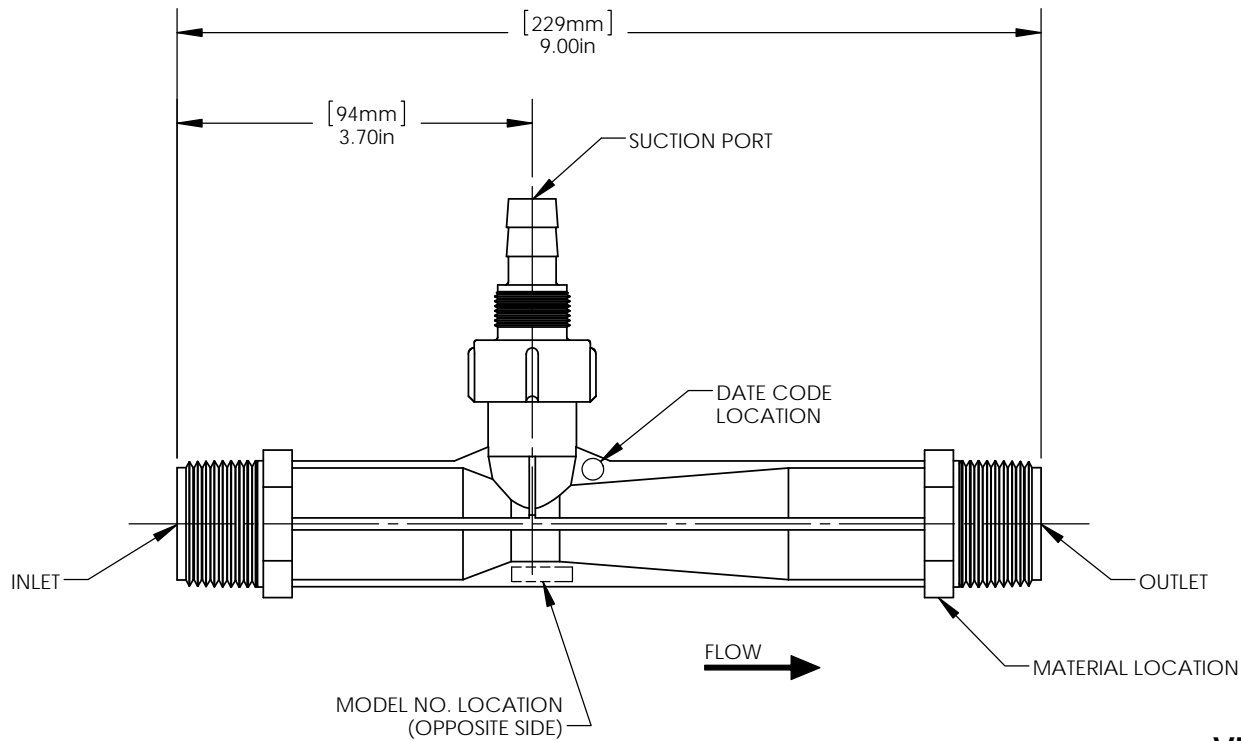
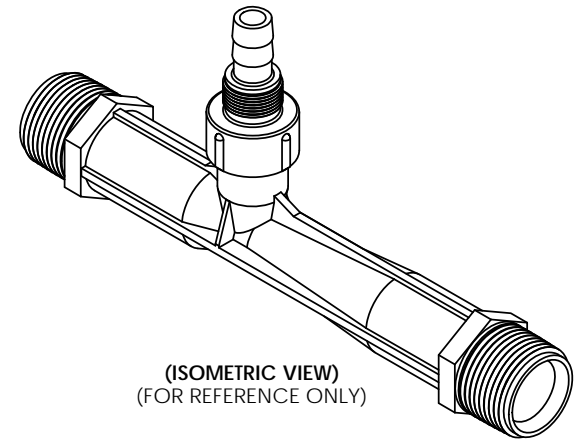
"CAP MODIFICATION DETAIL"
(ALTERNATE)

VENDOR ITEM CONTROL DRAWING

KIT CR-4	
TITLE	MATERIAL
BALL	TEFLON ® (PTFE)
SEAL RING	KEL-F ® (PCTFE)
SPRING	HASTELLOY C-22

INJECTOR BODY
MAZZEI PART NO.'s
885X 02 PP
885X 02 PVDF
885X 02 N-PVDF
885X 02 ECTFE
ISO 885X GRPP
ISO 885X PVDF
ISO 885X ECTFE

UNLESS OTHERWISE SPECIFIED DIMENSIONS ARE IN INCHES			TITLE: 1" INJECTOR; MODEL 885X 02			
DRAWN:	T.JOHNS		DRAWING NO.: 885X02-PP/PVDF/ECTFE			
DATE:	10/23/12	SIZE:	WEIGHT:	SCALE:	REV.:	SHEET:
APPROVED:	P. BANKOWSKI	A	N/A	1:1	NC	1 OF 2



VENDOR ITEM CONTROL DRAWING

UNLESS OTHERWISE SPECIFIED DIMENSIONS ARE IN INCHES			TITLE: 1" INJECTOR; MODEL 885X 02		
DRAWN:	T.JOHNS		DRAWING NO.: 885X02-PP/PVDF/ECTFE		
DATE:	10/23/12	SIZE:	WEIGHT:	SCALE:	REV.:
APPROVED:	P. BANKOWSKI	A	N/A	1:1	NC
				SHEET:	2 OF 2